



**Gas Spring Dual LCD
Desktop Arm**

782BS

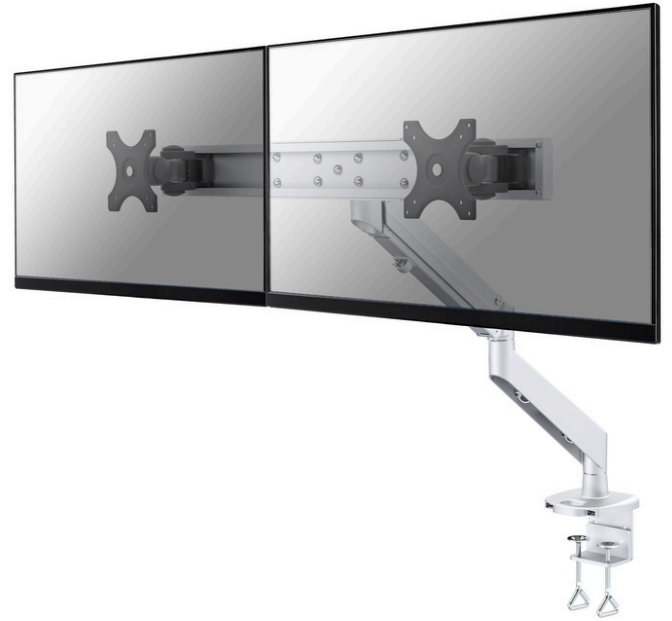
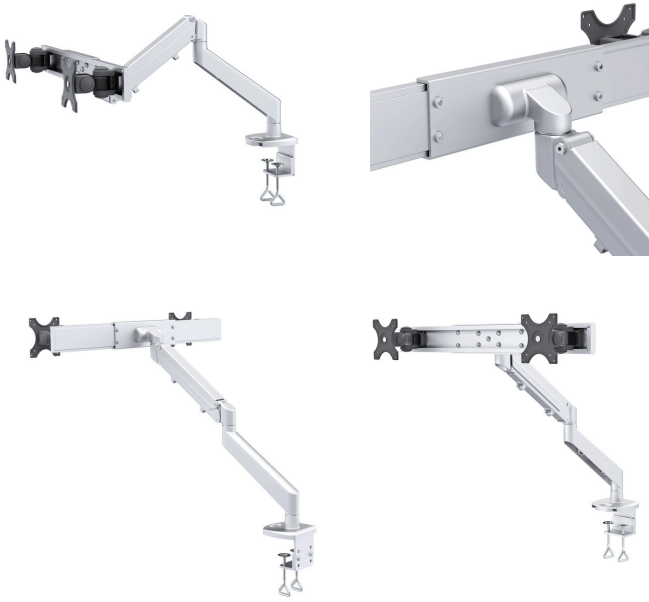


**Dutch Design
Medical IT
of Tomorrow**

www.athena-medical.com

+31 85 876 9225
info@athena-medical.com

Gas Spring Dual LCD Desktop Arm 782BS



Product Description

- Weight capacity : Max 2-6 kgs per screen.
- Meets with VESA 75*75 or 100*100mm.
- Screen size up to 27" per screen. (Max screen width is 640mm)
- Desktop c-clamp mounting up to 9cm thickness.
- The product color is silver.
- Gas assistant system easily adjusts the height of monitor.
- Cable management.
- Option: included 2x USB. (Male to female)

Weight Capacity Max 2-6KGS each screen

Monitor Mounting Holes VESA 75*75 or 100*100mm

Color available Silver

Application using Desktop c-clamp Arm

Packaging Dimensions In Centimeters/Cubic Meters/Kilograms

Master Carton Weight Kgs	16,500
-----------------------------	--------



Acropolis Systems BV
Ohmstraat 8
3861 NB Nijkerk
The Netherlands

+31 85 876 9225
info@athena-medical.com
www.athena-medical.com



Gas Spring Dual LCD Desktop Arm **782BS**

The Athena 782BS Gas Spring Dual LCD Desktop Arm is designed to support ergonomic and flexible dual-monitor workstations in clinical and high-standard environments. Suitable for two monitors up to 27 inches, with a weight capacity of 2–6 kg per screen, this mounting solution provides stable support while allowing precise positioning for multi-screen workflows. The integrated gas spring system enables smooth and effortless height adjustment, while the monitor arms allow upward and downward tilt of up to 35 degrees to achieve optimal viewing angles. Compatible with VESA 75/100 mm, equipped with integrated cable management, and mounted via a desktop C-clamp for surfaces up to 9 cm thick, the 782BS helps maintain an organized and ergonomic workspace. Two integrated USB pass-through ports further support practical connectivity at the workstation.



Acropolis Systems BV
Ohmstraat 8
3861 NB Nijkerk
The Netherlands

+31 85 876 9225
info@athena-medical.com
www.athena-medical.com